

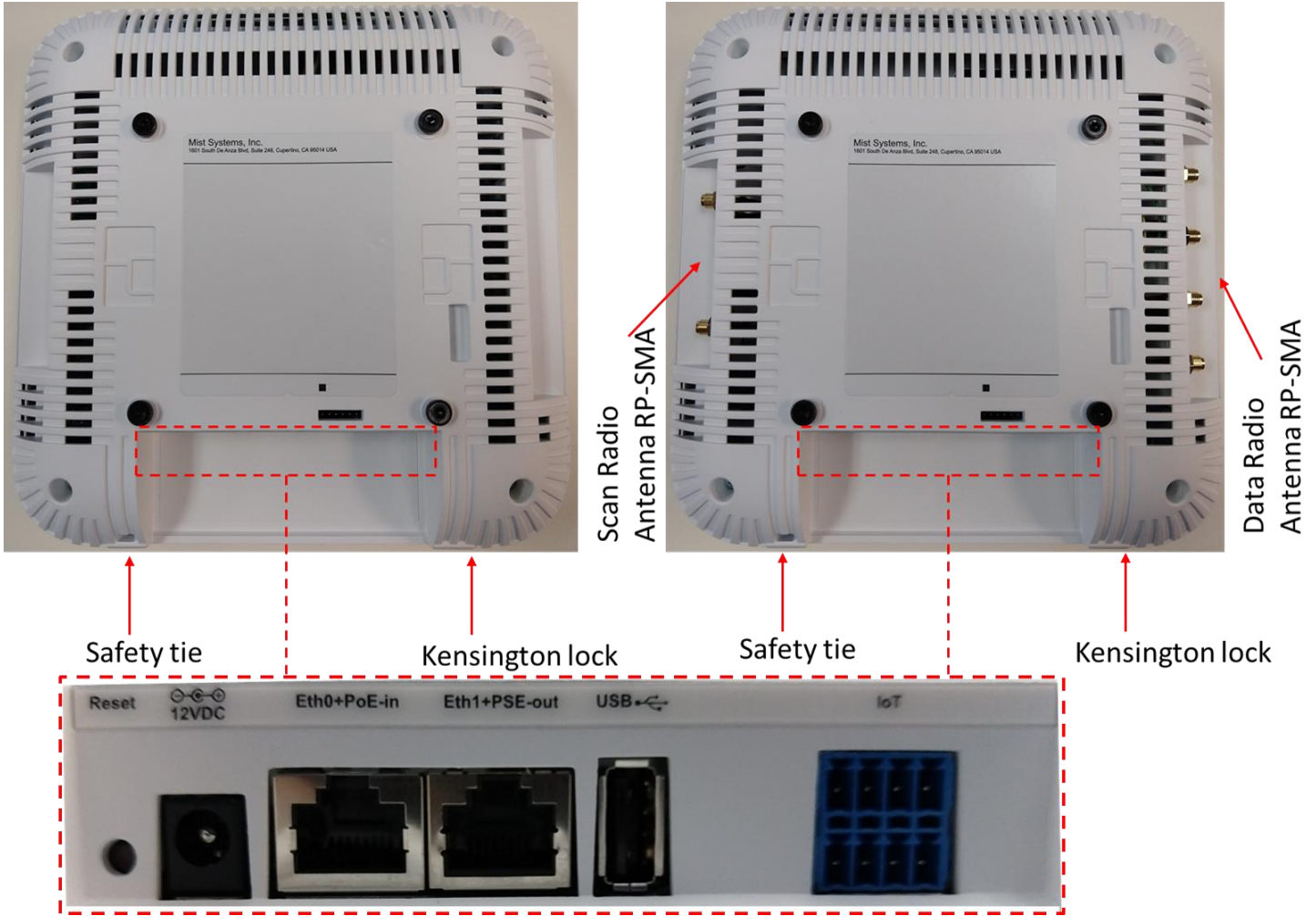


AP43 Hardware Installation Guide

Overview

The Mist AP43 contains three IEEE 802.11ax radios that deliver 4x4 MIMO with four spatial streams when operating in multi-user (MU) or single-user (SU) mode.

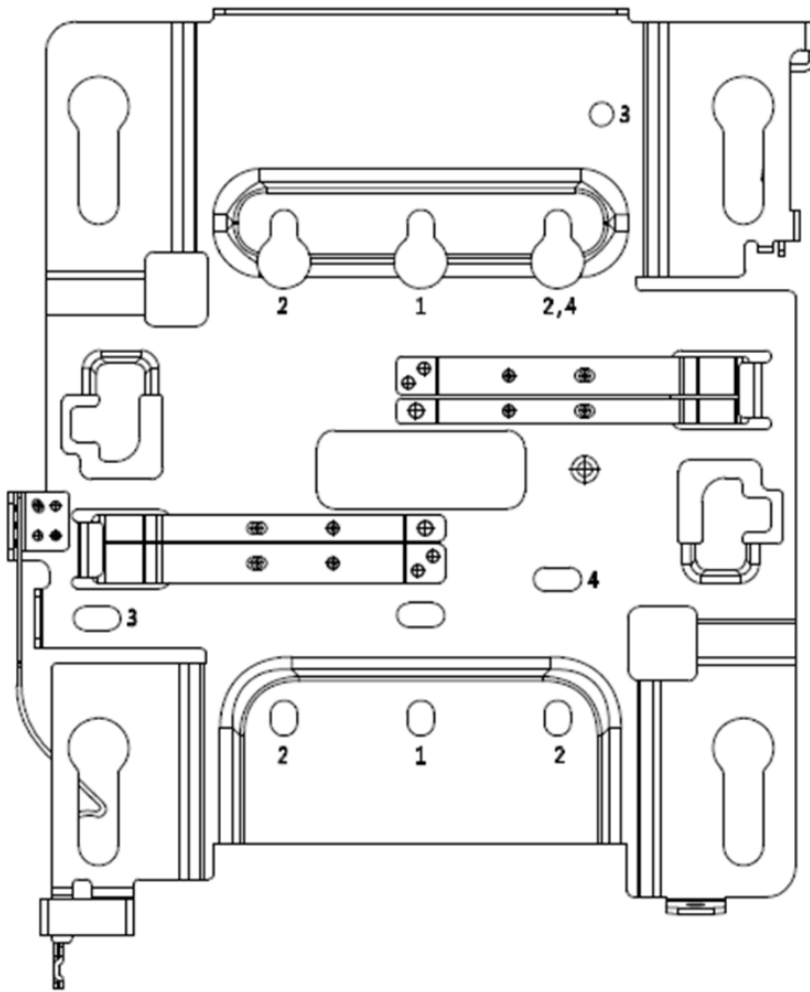
I/O ports



Reset	Reset to the factory default settings
12VDC	Support for the 12VDC power supply recommended by Mist
Eth0+PoE-in	100/1000/2500BASE-T RJ45 interface that supports 802.3at/802.3bt PoE PD
Eth1+PSE-out	10/100/1000BASE-T RJ45 interface + 802.3af PSE (if PoE-in is 802.3bt)
USB	USB2.0 support interface
IoT	8-pin interface for digital input, digital output, analog input, and ground

AP43 Mounting

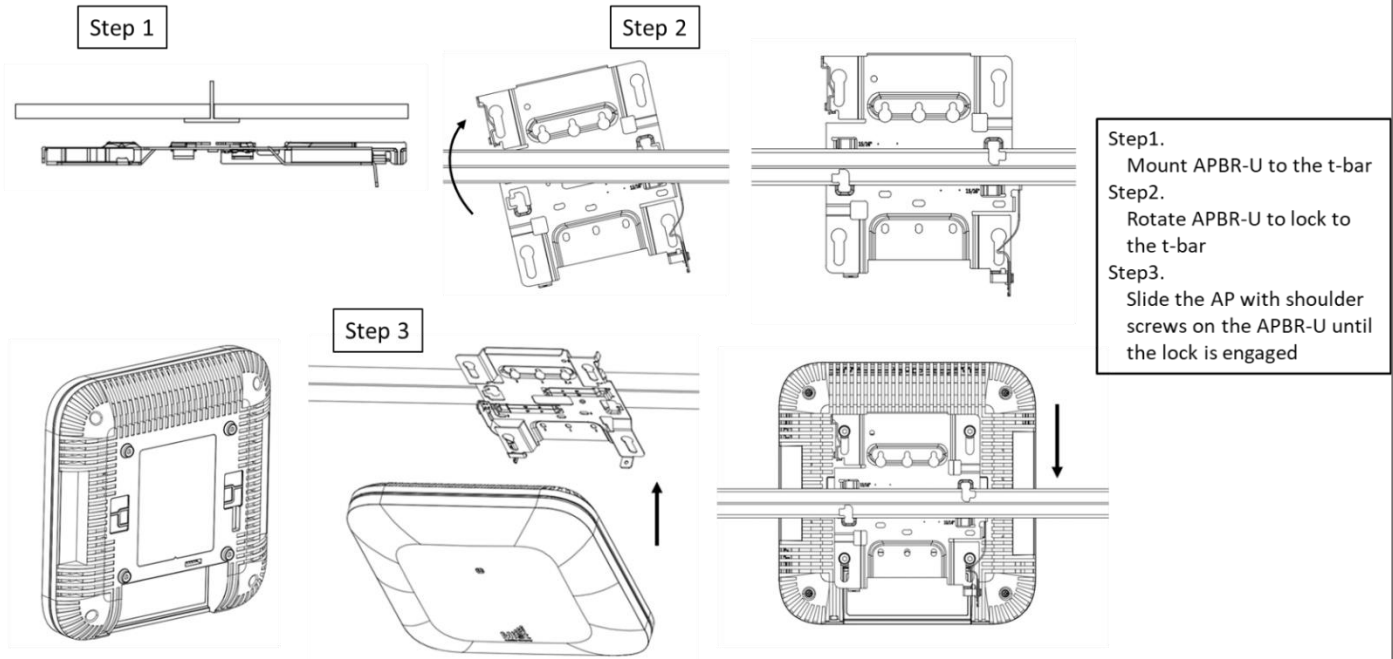
APBR-U Mounting box options



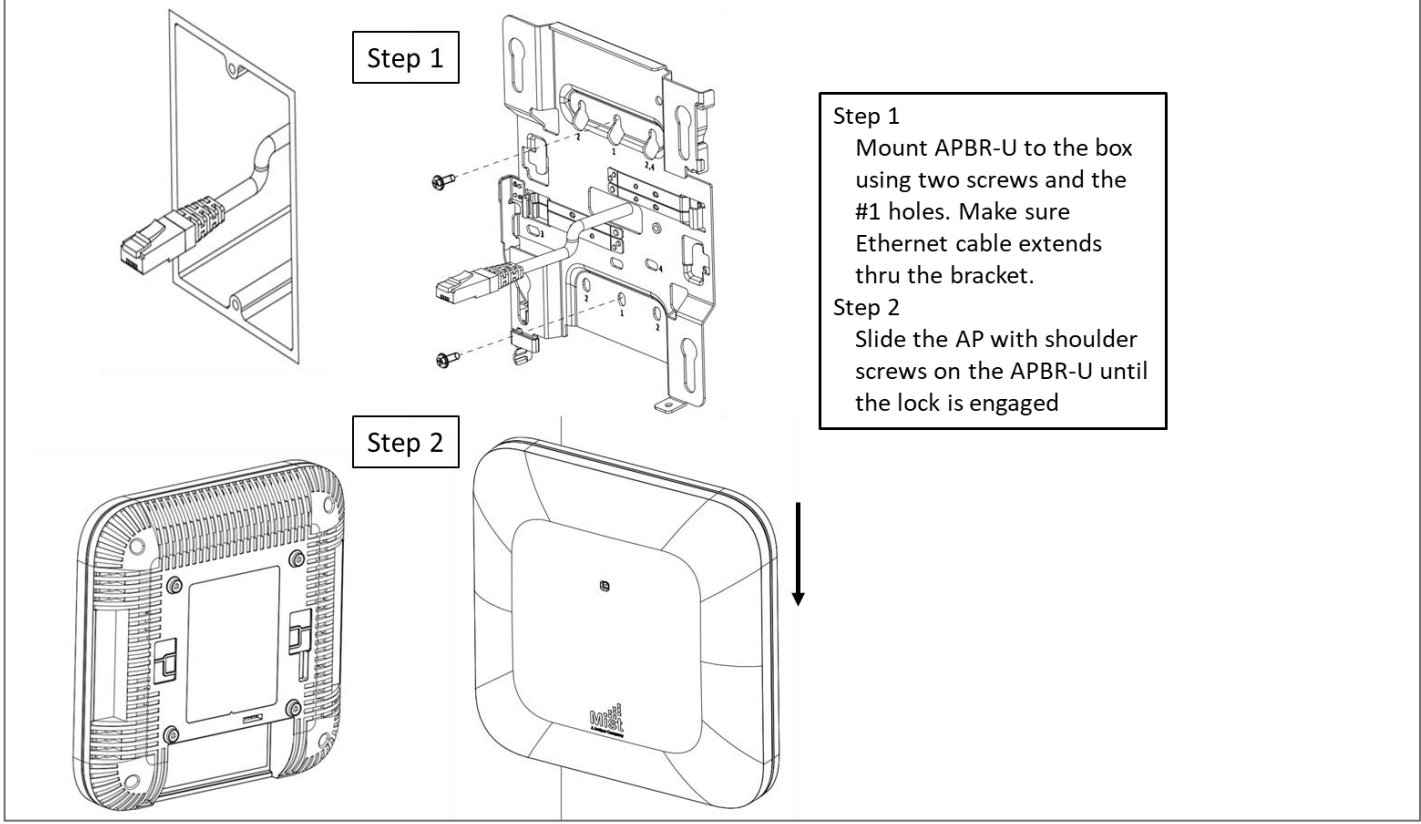
Holes	Mounting options
1	US Single gang, 4 inch round, 3.5 inch round
2	US Double gang, Wall/ceiling mount
3	US 4 inch square
4	EU junction box

In a wall mount installation, please use screws that have a 1/4in. (6.3mm) diameter head with a length at least 2 in. (50.8mm).

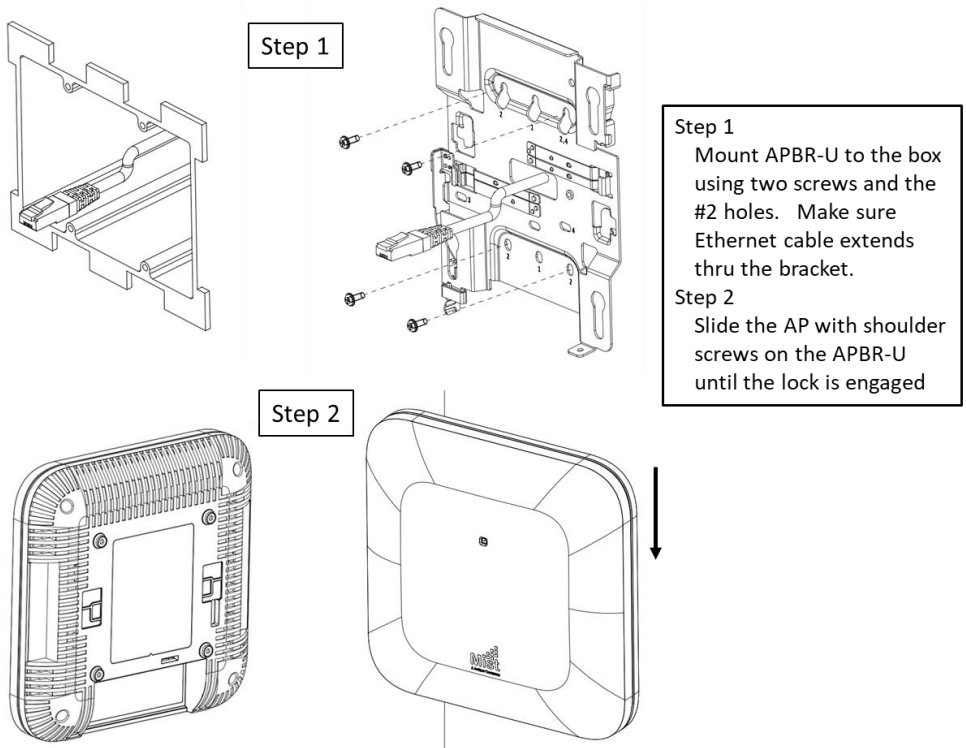
Mounting to a 9/16 inch or 15/16 inch T-bar



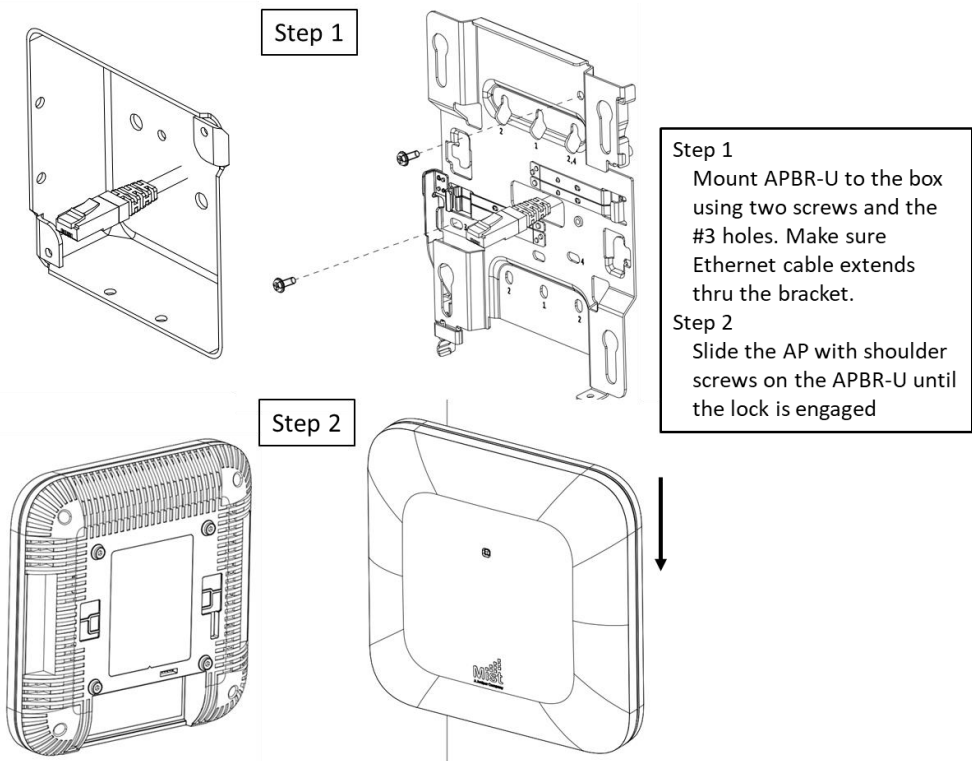
US single gang, 3.5 or 4 inch round junction box



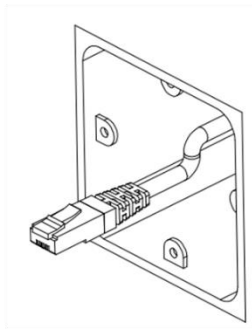
US double gang junction box



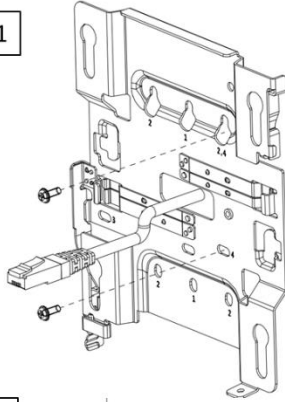
US 4 inch square junction box



EU junction box



Step 1



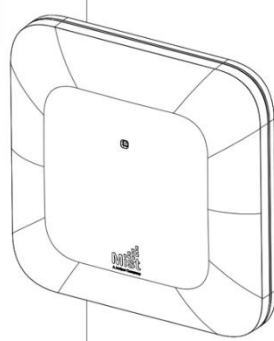
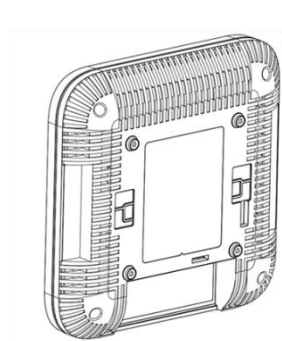
Step 1

Mount APBR-U to the box using two screws and the #4 holes. Make sure Ethernet cable extends thru the bracket.

Step 2

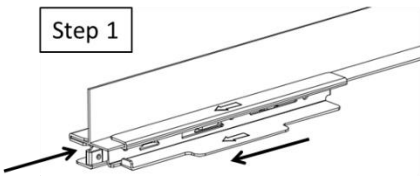
Slide the AP with shoulder screws on the APBR-U until the lock is engaged

Step 2



Recessed 15/16 inch T-bar

Step 1



Step 1

Mount the APBR-ADP-RT15 to the t-bar

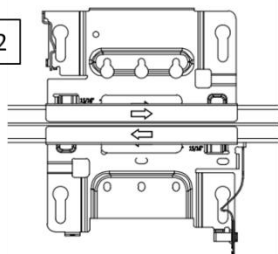
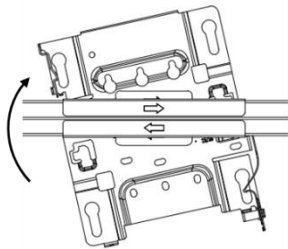
Step 2

Mount the APBR-U to the APBR-ADP-RT15. Rotate the APBR-U to lock to the APBR-ADP-RT15

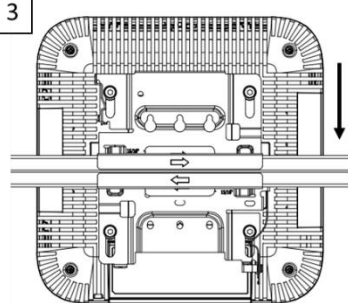
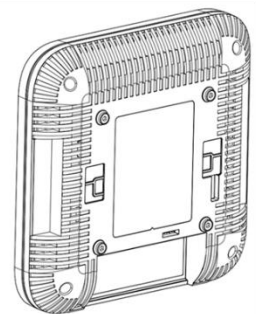
Step 3

Slide the AP with shoulder screws on the APBR-U until the lock is engaged

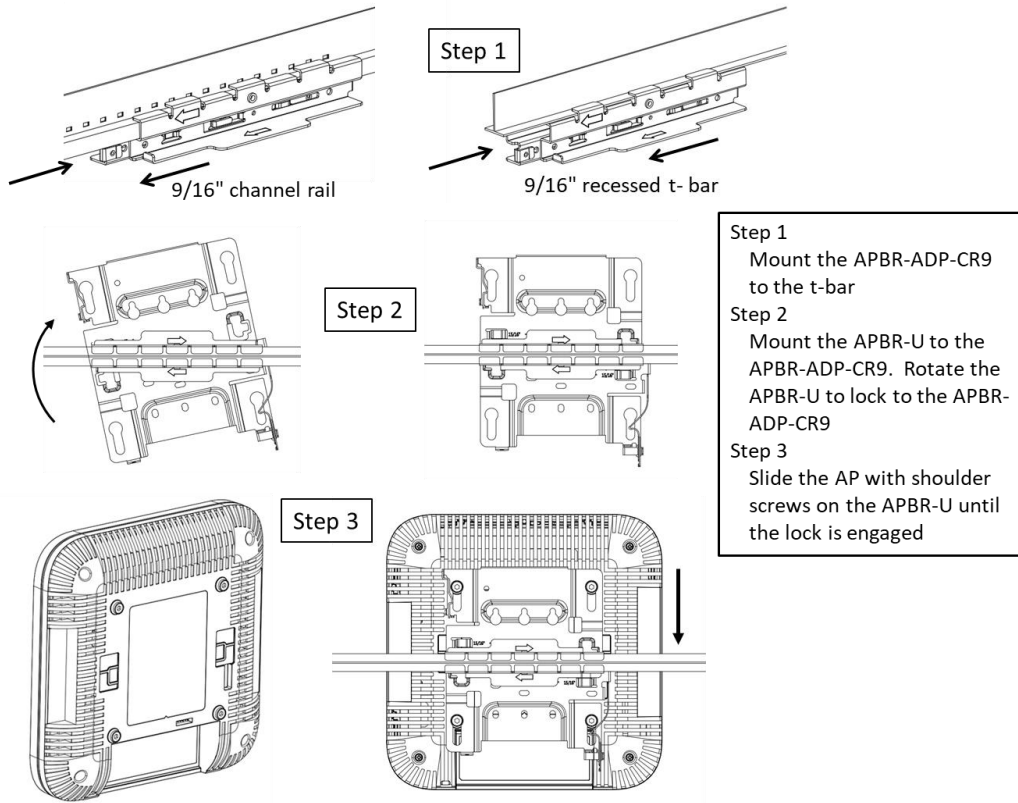
Step 2



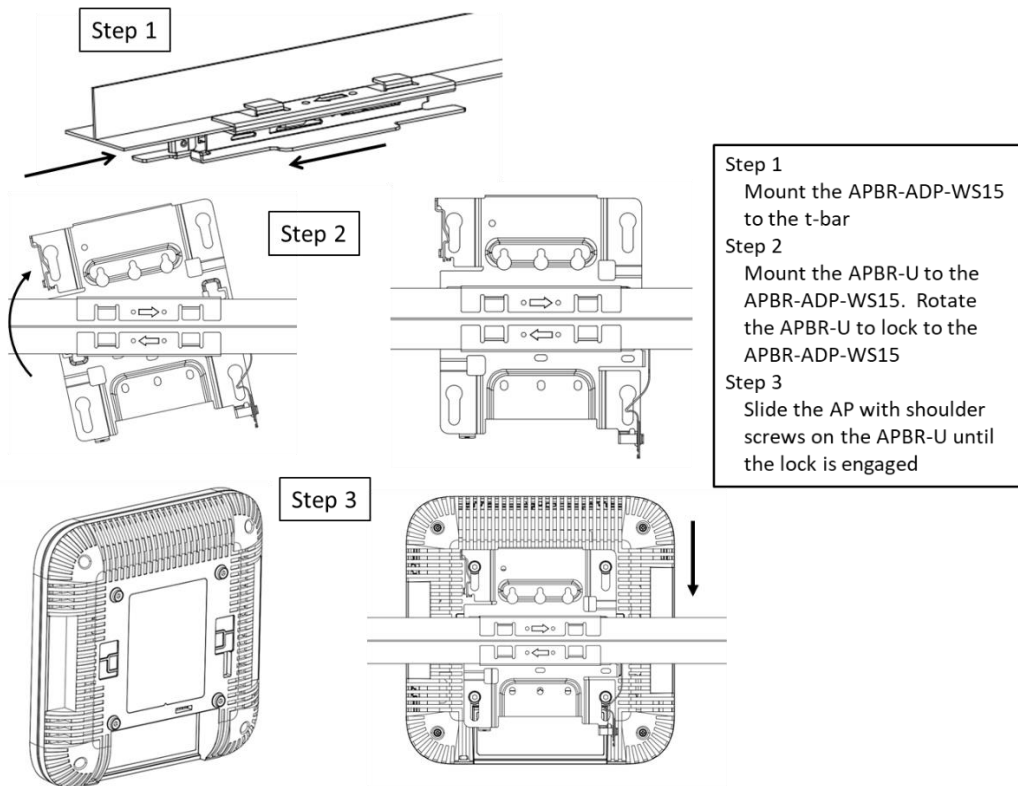
Step 3



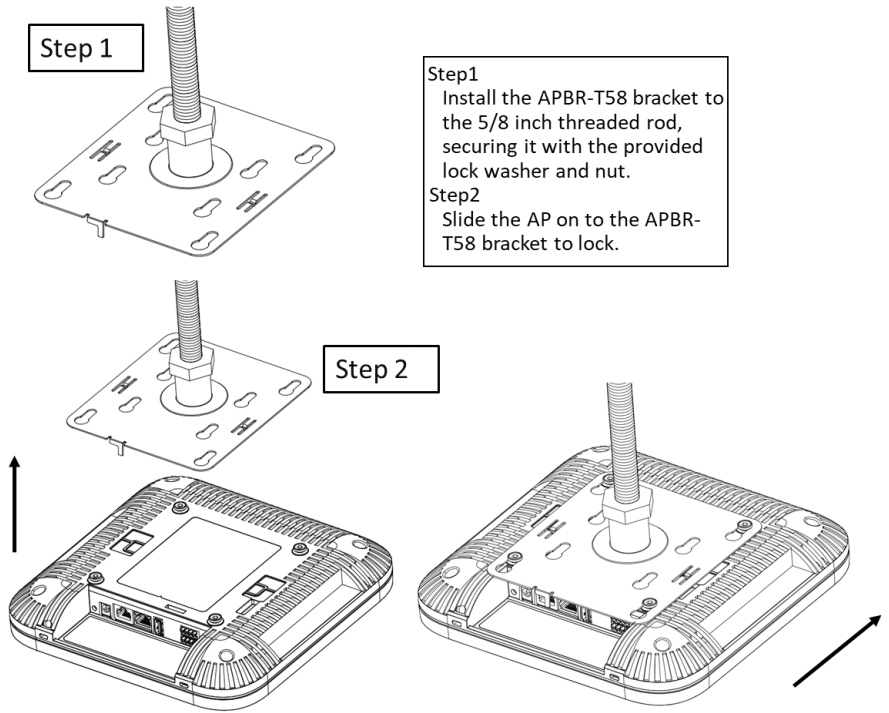
Recessed 9/16 inch T-bar or channel rail



1.5 inch T-bar

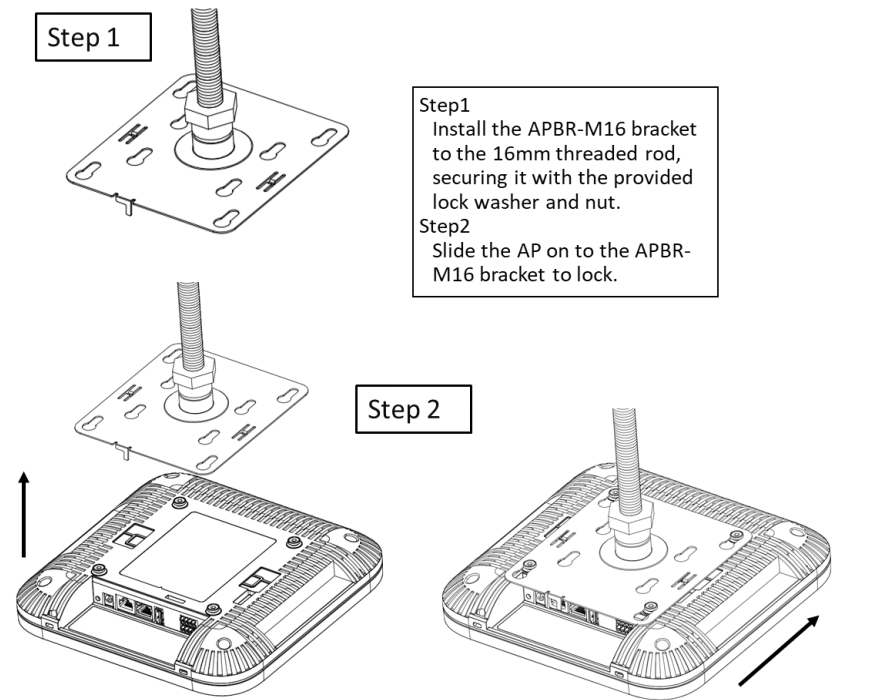


Mounting to a 5/8 inch threaded rod



The bracket attaches to a rod that is 5/8"-11.

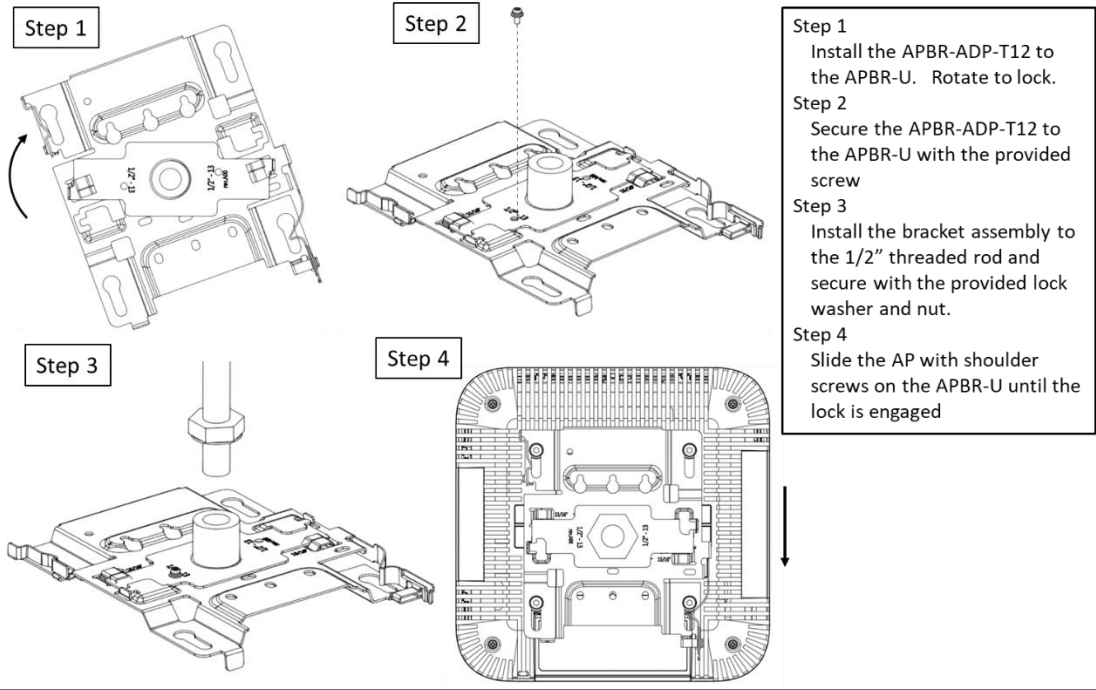
Mounting to a 16mm threaded rod



The bracket attaches to a rod that is M16-2.

Juniper Business Use Only

1/2" threaded rod adapter



Technical Specifications:

Feature	Description
Power options	802.3at/802.3bt PoE 12V/3A DC power supply
Powering adaptor	100-240VAC, 50-60 Hz, input All regions (output): 12V/3A DC output
Dimensions	222mm x 222mm x 53mm (8.74in x 8.74in x 2.09in)
Weight	AP43: 1.39 kg (3.06 lbs) AP43E: 1.46 kg (3.21 lbs)
Operating temperature	AP43: 0° to 40° C AP43E: -20° to 50° C
Operating humidity	10% to 90% maximum relative humidity, non-condensing
Operating altitude	3,048m (10,000 ft)
Electromagnetic emissions	FCC Part 15 Class B
I/O	1 – 100/1000/2500BASE-T auto-sensing RJ-45 with PoE 1 – 10/100/1000BASE-T auto-sensing RJ-45 USB2.0 IoT terminal block 12VDC
RF	2.4GHz or 5GHz - 4x4:4SS 802.11ax MU-MIMO & SU-MIMO 5GHz - 4x4:4SS 802.11ax MU-MIMO & SU-MIMO 2.4GHz / 5GHz scanning radio 2.4GHz BLE with Dynamic Antenna Array
Maximum PHY rate	Total maximum PHY rate – 4800 Mbps 5GHz – 2400 Mbps 2.4GHz or 5GHz – 1148 Mbps or 2400Mbps
Indicators	Multi-color status LED
Compliance standards	UL 62368-1 CAN/CSA-C22.2 No. 62368-1-14 UL 2043 FCC Part 15.247, 15.407, 15.107, and 15.109 RSS-247 ICES-003:2020 Issue 7, Class B (Canada)

Suitable for use in environmental air space in accordance with Section 300-22(C) of the National Electrical Code, and Sections 2-128, 12-010(3), and 12-100 of the Canadian Electrical Code, Part 1, CSA C22.1.

Warranty Information

The AP43 family of Access Points comes with a limited lifetime warranty.

Ordering Information:

Access Points

AP43-US	Premium 802.11ax WiFi and BLE AP – Internal Antenna for the US Regulatory domain
AP43E-US	Premium 802.11ax WiFi and BLE AP – External Antenna for the US Regulatory domain
AP43-WW	Premium 802.11ax WiFi and BLE AP – Internal Antenna for the WW Regulatory domain
AP43E-WW	Premium 802.11ax WiFi and BLE AP – External Antenna for the WW Regulatory domain

Mounting brackets

APBR-U	Universal AP Bracket for T-Rail and Drywall mounting for Indoor Access Points
APBR-T58	5/8-inch threaded rod bracket
APBR-M16	16mm threaded rod bracket
APBR-ADP-CR9	Adapter for channel rail and recessed 9/16" t-rail
APBR-ADP-RT15	Adapter for recessed 15/16" t-rail
APBR-ADP-WS15	Adapter for recessed 1.5" t-rail

Power Supply options

DC-01	100-240VAC, 50-60 Hz, input All regions (output): 12V/3A DC output
-------	-----------------------------------------------------------------------

Regulatory Compliance Information:

This product and all interconnected equipment must be installed indoors within the same building, including the associated LAN connections as defined by the 802.3at Standard.

Operations in the 5.15GHz – 5.35GHz band are restricted to indoor usage only.

The device is an Enterprise Access Point and trained professionals are required to configure and install the product.

If you need further assistance with purchasing the power source, please contact Mist Systems, Inc.

FCC Requirement for Operation in the United States of America:

FCC Guideline for Human Exposure

This equipment complies with FCC radiation exposure limits set forth for an uncontrolled environment. This equipment should be installed and operated with minimum distance 49 cm between the radiator & your body.

This device complies with Part 15 of the FCC Rules. Operation is subject to the following two conditions: (1) This device may not cause harmful interference, and (2) this device must accept any interference received, including interference that may cause undesired operation.

This equipment has been tested and found to comply with the limits for a Class B digital device, pursuant to Part 15 of the FCC Rules. These limits are designed to provide reasonable protection against harmful interference in a residential installation. This equipment generates, uses and can radiate radio frequency energy and, if not installed and used in accordance with the instructions, may cause harmful interference to radio communications. However, there is no guarantee that interference will not occur in a particular installation. If this equipment does cause harmful interference to radio or television reception, which can be determined by turning the equipment off and on, the user is encouraged to try to correct the interference by one of the following measures:

- Reorient or relocate the receiving antenna.
- Increase the separation between the equipment and receiver.
- Connect the equipment into an outlet on a circuit different from that to which the receiver is connected.
- Consult the dealer or an experienced radio/TV technician for help.

FCC Caution

- Any changes or modifications not expressly approved by the party responsible for compliance could void the user's authority to operate this equipment.
- This transmitter must not be co-located or operating in conjunction with any other antenna or transmitter.
- For operation within 5.15 ~ 5.25GHz / 5.47 ~5.725GHz frequency range, it is restricted to indoor environment.

Industry Canada

This device complies with RSS-247 of the Industry Canada Rules. Operation is subject to the following two conditions: (1) This device may not cause harmful interference, and (2) this device must accept any interference received, including interference that may cause undesired operation.

Ce dispositif est conforme à la norme CNR-247 d'Industrie Canada applicable aux appareils radio exempts de licence. Son fonctionnement est sujet aux deux conditions suivantes: (1) le dispositif ne doit pas produire de brouillage préjudiciable, et (2) ce dispositif doit accepter tout brouillage reçu, y compris un brouillage susceptible de provoquer un fonctionnement indésirable.

Radiation Exposure Statement:

This equipment complies with IC radiation exposure limits set forth for an uncontrolled environment. This equipment should be installed and operated with minimum distance 55 cm between the radiator & your body.

Déclaration d'exposition aux radiations: Cet équipement est conforme aux limites d'exposition aux rayonnements IC établies pour un environnement non contrôlé. Cet équipement doit être installé et utilisé avec un minimum de 55 cm de distance entre la source de rayonnement et votre corps.

IC Caution

- (i) The device for operation in the band 5150-5250 MHz is only for indoor use to reduce the potential for harmful interference to co-channel mobile satellite systems;
- (ii) The maximum antenna gain permitted for devices in the bands 5250-5350 MHz and 5470-5725 MHz shall be such that the equipment still complies with the e.i.r.p. limit;
- (iii) The maximum antenna gain permitted for devices in the band 5725-5850 MHz shall be such that the equipment still complies with the e.i.r.p. limits specified for point-to-point and non-point-to-point operation as appropriate; and
- (iv) Users should also be advised that high-power radars are allocated as primary users (i.e. priority users) of the bands 5250-5350 MHz and 5650-5850 MHz and that these radars could cause interference and/or damage to LE-LAN devices.

Avertissement

Le guide d'utilisation des dispositifs pour réseaux locaux doit inclure des instructions précises sur les restrictions susmentionnées, notamment :

- (i) les dispositifs fonctionnant dans la bande 5150-5250 MHz sont réservés uniquement pour une utilisation à l'intérieur afin de réduire les risques de brouillage préjudiciable aux systèmes de satellites mobiles utilisant les mêmes canaux;

(ii) le gain maximal d'antenne permis pour les dispositifs utilisant les bandes de 5250 à 5350 MHz et de 5470 à 5725 MHz doit être conforme à la limite de la p.i.r.e;

(iii) le gain maximal d'antenne permis (pour les dispositifs utilisant la bande de 5725 à 5850 MHz) doit être conforme à la limite de la p.i.r.e. spécifiée pour l'exploitation point à point et l'exploitation non point à point, selon le cas;

(iv) De plus, les utilisateurs devraient aussi être avisés que les utilisateurs de radars de haute puissance sont désignés utilisateurs principaux (c.-à-d., qu'ils ont la priorité) pour les bandes 5250-5350 MHz et 5650-5850 MHz et que ces radars pourraient causer du brouillage et/ou des dommages aux dispositifs LAN-EL.



This device complies with the Radio Equipment Directive, 2014/53/EU, issued by the Commission of the European Community.

Hereby, Mist Systems, Inc. declares that the radio equipment type (AP43) is in compliance with Directive 2014/53/EU.

The full text of the EU declaration of conformity is available at the following:

<https://www.mist.com/support/>

The frequency and maximum EIRP Power in EU:

Bluetooth:

Frequency range (MHz)	Maximum EIRP in EU (dBm)
2400 – 2483.5	9.55

WLAN:

Frequency range (MHz)	Maximum EIRP in EU (dBm)
2400 – 2483.5	19.99
5150 – 5250	22.81
5250 – 5350	22.78
5500 – 5700	29.82
5745 – 5825	13.86

The minimum distance between the user or bystander and the radiating structure of the transmitter is 20cm.

The product is for use by authorized professionals and in environments where the product has been assessed for safe and compliant operation. The installer is responsible for ensuring that the equipment meets all local safety requirements for the installed location.

For products not certified for use in Hazardous Locations, the equipment is not suitable for use in explosive environments, in the presence of flammable liquids, near explosives, or in areas where blasting is occurring.

Morocco

AGREE PAR L'ANRT MAROC

AP43E -

Numéro d'agrément: MR 22037 ANRT 2020

Date d'agrément: 03/01/2020

AP43 -

Numéro d'agrément: MR 22036 ANRT 2020

Date d'agrément: 03/01/2020

South Korea

해당 무선설비는 운용 중 전파혼신 가능성이 있음

Oman

OMAN - TRA
TRA / TA-R / 9173 /20
D172249

Pakistan



TAC Number: 9.200/2020

Belarus



Thailand

- เครื่องโทรคมนาคมและอุปกรณ์นี้มีความสอดคล้องตามมาตรฐานหรือข้อกำหนดทางเทคนิคของ กสทช.



Russia

Подтверждение соответствия 1) Минкомсвязи России и 2) Евразийского Таможенного Союза:

1. Декларация соответствия Евразийского Таможенного Союза № RU Д-US.PA01/B.38167/2-0 от (30.04.2020) года, действительна до (29.04.2025) года, зарегистрирована в реестре Евразийского Таможенного Союза (30.04.2020) года
2. Сертификат соответствия № ОС-2-РД-1379 от (01.09.2020) года, действителен до (01.09.2023) года, зарегистрирован в Федеральном агенстве связи (01.09.2020) года
3. Декларация соответствия № Д-ИВРД – 6882 от (18.06.2020) года, действительна до (18.06.2026) года, зарегистрирована в Федеральном агенстве связи (26.06.2020) года
4. Декларация соответствия № Д-ИВРД – 6881 от (18.06.2020) года, действительна до (18.06.2026) года, зарегистрирована в Федеральном агенстве связи (26.06.2020) года

Mexico

- La operación de este equipo está sujeta a las siguientes dos condiciones: (1) es posible que este equipo o dispositivo no cause interferencia perjudicial y (2) este equipo o dispositivo debe aceptar cualquier interferencia, incluyendo la que pueda causar su operación no deseada
- Este equipo ha sido diseñado para operar con las antenas que enseguida se enlistan y para una ganancia máxima de antena de [8dBi por 2.4GHz y 10dBi por 5GHz]. El uso con este equipo de antenas no incluidas en esta lista o que tengan una ganancia mayor que [8dBi por 2.4GHz y 10dBi por 5GHz] quedan prohibidas. La impedancia requerida de la antena es de [50] ohms

Ukraine



Для експлуатації в Україні необхідно отримати дозвіл на експлуатацію у порядку, затвердженому рішенням НКРЗІ від 01.11.2012 № 559, зареєстрованому в Міністерстві юстиції України 03.01.2013 за № 57/22589